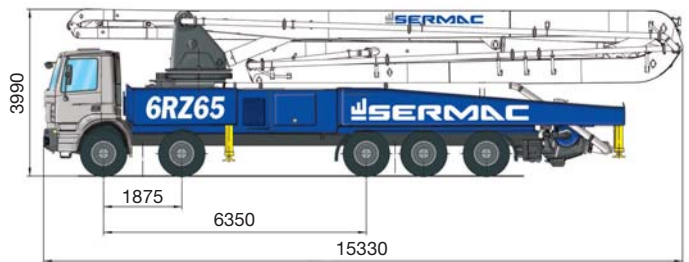
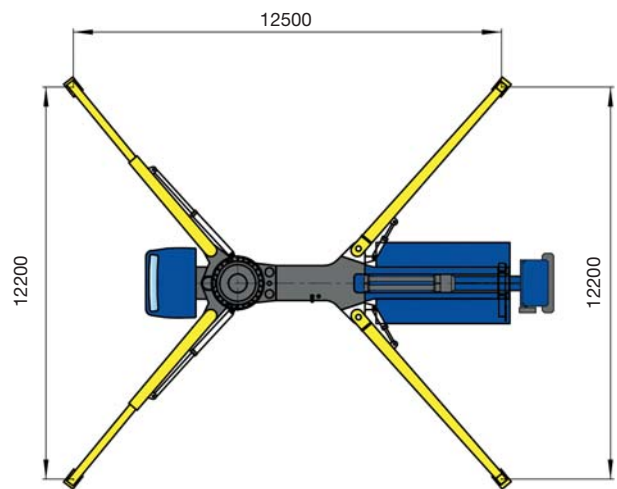
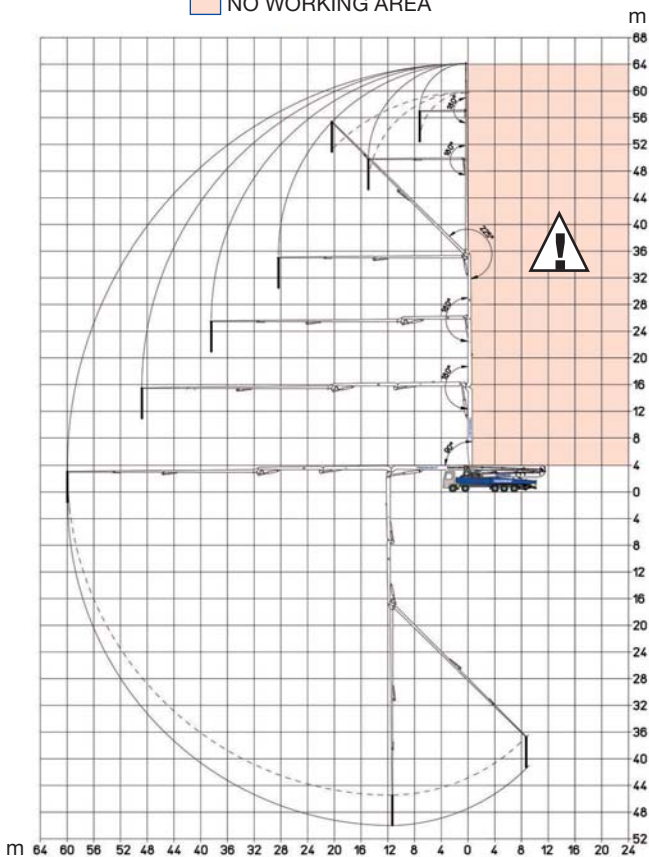


# SIRIO 6RZ65-L



NO WORKING AREA



## PUMPING UNIT - specifications

	SCL150AHP
TH. CONCRETE OUTPUT (MAX)* ROD SIDE	149 m <sup>3</sup> /h (195 cy/h)
CONCRETE PRESSURE (MAX)* ROD SIDE	76 bar 1102 p.s.i.
NUMBER OF STROKES (MAX)* ROD SIDE	30 min
PISTON DIAMETER	230 mm
STROKE LENGTH	2000 mm
POWERED BY	PTO
CONCRETE HOPPER	600 l

## BOOM - specifications

	6RZ65
NUMBER OF SECTIONS	6
FOLDING TYPE	RZ
MAX VERTICAL REACH	64,35 m
MAX HORIZONTAL REACH	60,35 m
MAX DOWNWARD REACH	-35,0 m
ROTATION	370°
SECTION ARTICULATION	90° - 180° - 180° - 225° - 180° - 90°
CONCRETE PIPELINE	Ø 125 mm

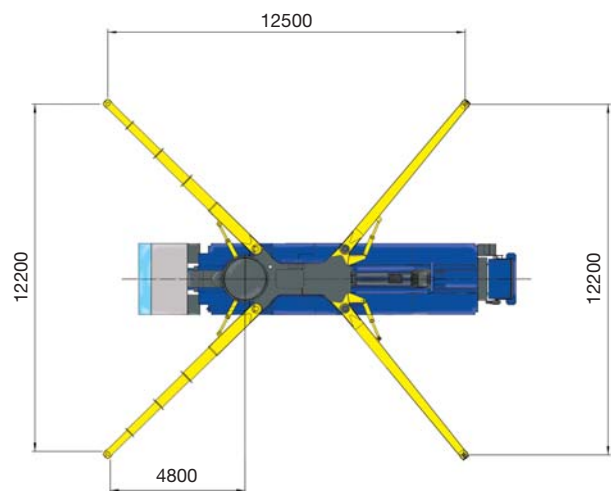
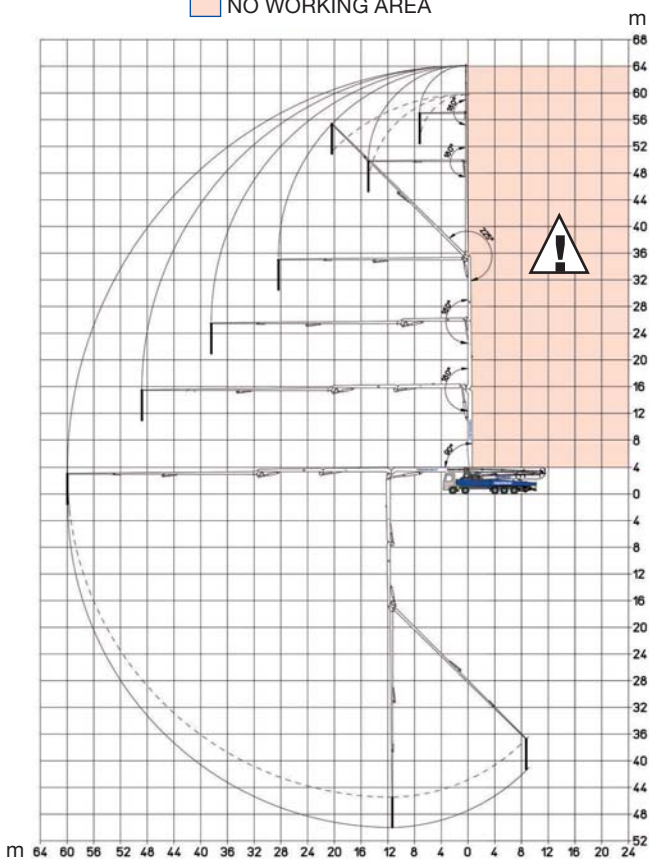
\*Cannot be reached simultaneously

Also available different models: please, don't hesitate to contact our offices

# SIRIO 6RZ65-X



NO WORKING AREA



## PUMPING UNIT - specifications

	SCL150AHP
TH. CONCRETE OUTPUT (MAX)* ROD SIDE	149 m <sup>3</sup> /h (195 cy/h)
CONCRETE PRESSURE (MAX)* ROD SIDE	76 bar 1102 p.s.i.
NUMBER OF STROKES (MAX)* ROD SIDE	30 min
PISTON DIAMETER	230 mm
STROKE LENGTH	2000 mm
POWERED BY	PTO
CONCRETE HOPPER	600 l

## BOOM - specifications

	6RZ65
NUMBER OF SECTIONS	6
FOLDING TYPE	RZ
MAX VERTICAL REACH	64,35 m
MAX HORIZONTAL REACH	60,35 m
MAX DOWNWARD REACH	-50 m
ROTATION	370°
SECTION ARTICULATION	90° - 180° - 180° - 225° - 210° - 90°
CONCRETE PIPELINE	Ø 125 mm

\*Cannot be reached simultaneously

Also available different models: please, don't hesitate to contact our offices